

SUITABLE FOR MODEL

IMAGE MAY VARY FROM ACTUAL PRODUCT

SAFETY INSTRUCTION 

READ CAREFULLY BEFORE INSTALLING FIXTURE. PLEASE KEEP THIS MANUAL FOR FUTURE USE.

Fixtures must be wired in accordance with the National Electrical Code and all applicable local codes. Proper grounding is required for safety.

THIS PRODUCT MUST BE INSTALLED IN ACCORDANCE WITH THE APPLICATION CODE BY A PERSON FAMILIAR WITH THE CONSTRUCTION AND OPERATION OF THE PRODUCT AND THE HAZARDS INVOLVED. MAKE CERTAIN POWER IS OFF BEFORE INSTALLING OR MAINTAINING FIXTURE.

CHECK THAT VOLTAGE IS COMPATIBLE WITH FIXTURE DRIVER. USE APPROVED CONNECTORS FOR ALL ELECTRICAL CONNECTIONS.

Maintenance Caution 

CAUTION: Be sure fixture temperature is cool enough to touch. Do not clean or maintain while fixture is energized.

1. Clean glass lens & fixture with non-abrasive glass cleaning solution.
2. Do not open fixture to clean the LED. Do not touch the LED.

California Prop 65 Warnings 

This product contains chemicals including lead, known to the State of California to cause cancer, birth defects, or other reproductive harm. Wash hands after handling.

General Safety Warnings 

The instructions and warnings contained in this manual should be read and understood before using or operating this light. Do not allow anyone to use or operate this light until they read this manual and have developed a thorough understanding of how this light works. Failure to observe any of the following instructions could result in severe personal injury to tool user and bystanders, or cause damage to the tool and property. Keep this manual for future reference.

Note

The warnings and cautions discussed in this instruction manual cannot cover all possible conditions and situations that may occur. It must be understood by the operator that common sense and caution are factors which cannot be built into this product, but must be supplied by the operator.

Always keep your work area clean, uncluttered, and well lit. Cluttered or dark areas invite accidents and injuries. **DO NOT** work on floor surfaces that are slippery. Keep plugs and receptacles dry. Do not disassemble the light head. The water resistant function will be affected after disassembling/opening the light.

Electrical Safety Warnings



Read all safety warnings and instructions. Failure to following all warnings and instructions may result in electric shock, fire and/or serious injury or death.

Before connecting a light to a power supply, always check to ensure the power supply corresponds to the voltage on the nameplate of the light. A power supply with a voltage greater than specified for the light can result in serious injury to the user, as well as damage to the light. Using a power supply with a voltage less than the nameplate rating is harmful to the motor. If in doubt, do not plug in the light.

Grounded lights must be plugged into an outlet properly installed and grounded in accordance with all codes and ordinances. This light is equipped with a 3-prong plug and a 3-wire grounding system. Never remove the grounding prong or modify the plug in any way. Do not use any adapter plugs. Check with a qualified electrician if you are in doubt as to whether the outlet is properly grounded.

Note

Double insulated lights are equipped with a polarized plug(one blade is wider than the other). This plug will fit in a polarized outlet only one way. If the plug does not fit fully in the outlet, reverse the plug. If it still doesn't fit, contact a qualified electrician to install a polarized outlet. Do not change the plug in any way.

To reduce the risk of the electric shock, DO NOT use in damp conditions, on wet surfaces, or expose to rain. Do not plug in this light or operate it with wet hands or while standing in water.

Never use the cord for carrying, pulling or unplugging the power light. Grasp plug and pull to disconnect from outlet. Keep cord away from heat, oil, sharp edges or moving parts. Replace damaged cords immediately.

Always remove the power cord from the electric outlet when making adjustments, changing parts, cleaning or working on the light.

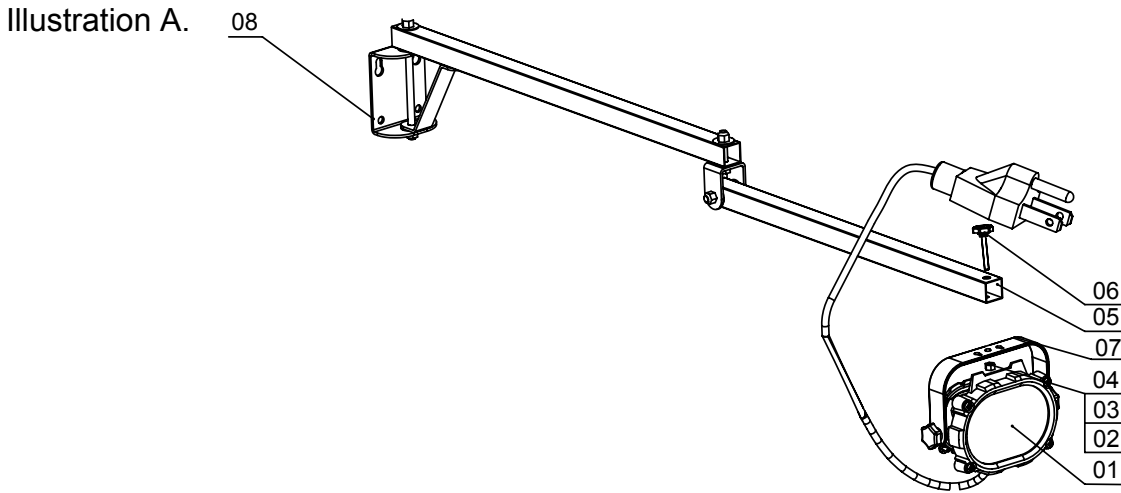
Care should be taken to arrange the cord so it will not be stepped on, tripped over, or otherwise subjected to damage or stress.

Never attempt to plug in or operate equipment with defective or damaged wires, power cord or power cord plug. Have any defective or damage parts replaced immediately by qualified personnel.

Avoid body contact with electrically grounded surfaces. There is an increased risk of electric shock if your body is grounded.

If the work area is not equipped with a permanently installed Ground Fault Circuit Interrupter outlet(GFCI), use a plug-in GFCI between the power light or extension cord and the power receptacle.

INSTALLATION



REF NO	DESCRIPTION	QTY
01	Light head(24K347A)	1
02	BSW nut	1
03	Flat washer	1
04	Spring washer	1
05	Arm	1
06	BSW bolt 1/4"	1
07	Lighthouse bracket	1
08	Arm bracket	1

1. Insert BSW bolt (06) through arm (05) at the location shown on the Illustration A diagram.
2. Attach flat washer (03) and spring washer (04) to the lighthouse bracket (07).
The spring washer (04) should face the light-head bracket (07) surface.
3. Insert BSW nut(02) through bracket (07) and washers (03 and 04), and connect to the BSW bolt (06).
4. Fasten the BSW bolt (06) by hand until tight.

1. Choose a 120V electrical outlet.
2. Insert screw into wall, use care to line up the mounting holes and tightened it with nut.
3. Mount arm bracket (08) into wall - **DO NOT MOUNT LIGHT TO ANY UNSUPPORTED WALL MATERIAL DIRECTLY.**
4. Secure mounting holes can be fastened to wall side without slaving.
- A: Affix the four 5/16" bolts in a flat vertical surface by adding screw with flat washer (03)
- B: Affix two 5/16" bolts to screw with mounting light.
5. Adjust base joint to rotate light to the desired angle.
6. Plug power cord into your 120V electrical outlet.